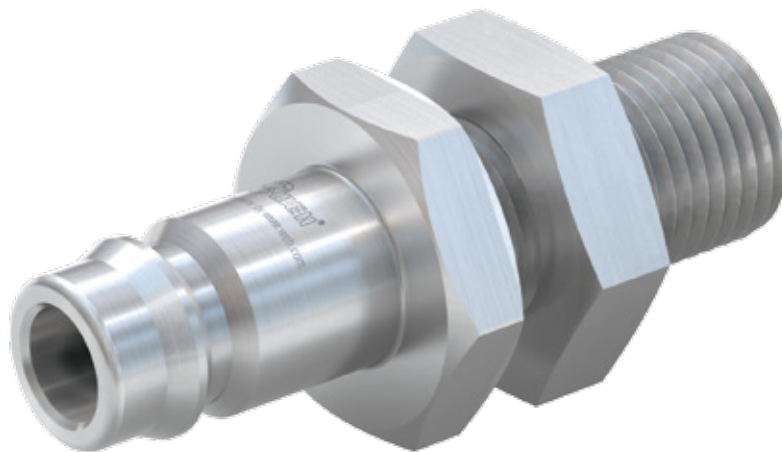


Type **TN10 H₂**

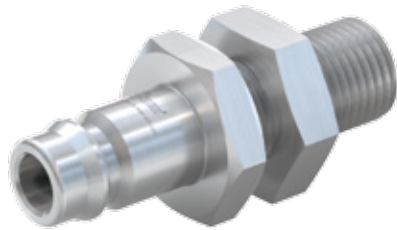
WEH[®] Service Receptacle

for discharging hydrogen



General

DESCRIPTION



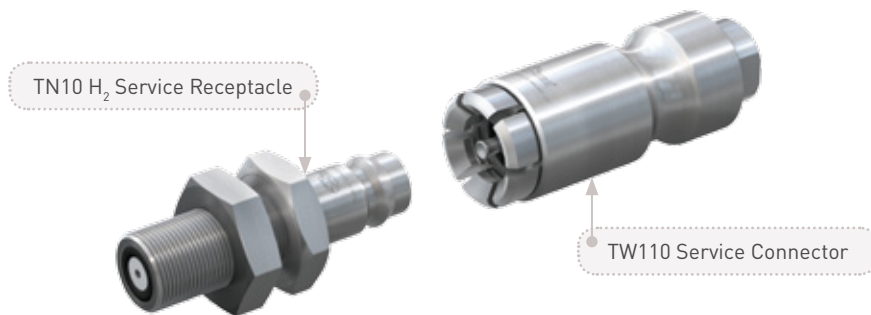
Features

- Integrated shut-off valve
- Reduces chatter during discharging
- Sealing-friendly design
- Incl. protection cap

Vehicles running on hydrogen have to be serviced and checked regularly. To achieve this, it is necessary to discharge all pressure vessels resp. fuel tanks. The WEH[®] TN10 H₂ Service Receptacle has been designed for this specific purpose. It is mounted on the underside of the H₂ vehicle and provides simple discharging of the fuel tank.

The WEH[®] TW110 Service Nozzle needs only to be placed onto the service receptacle and discharging can commence. After discharging, disconnect the service nozzle and refit the protection cap in order to protect the service receptacle from dirt and damage whilst not in use. The included protection cap protects the service receptacle from dirt and damage whilst not in use.

We recommend that the WEH[®] TN10 H₂ Service Receptacle is used with the WEH[®] TW110 Service Connector. This is specially designed to work with the service receptacle.



Application

Service receptacle for discharging hydrogen.

Operation only by specially trained service personnel. Not for self-service operation!

Note: The TN10 H₂ may only be used in connection with a suitable locking device or shut-off valve (e.g. ball valve)!

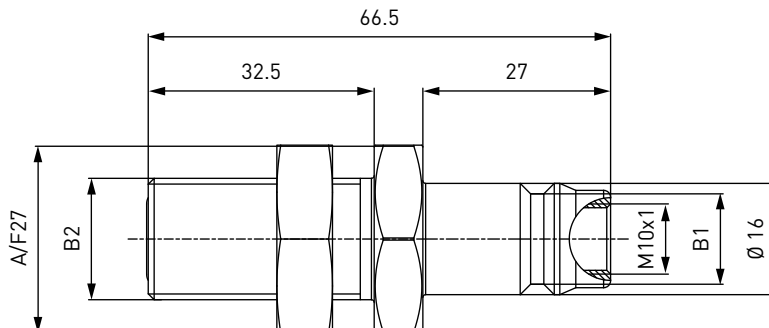
TECHNICAL DATA

Characteristic	Basic version	Options
Nominal bore DN	2 mm	On request
Pressure range	PN = 16 bar (230 psi) PS = 20 bar PT = 30 bar	
Temperature range	-40 °C up to +85 °C (-40 °F up to +185 °F)	On request
Material	Corrosion resistant stainless steel	On request
Sealing material	Hydrogen compatible	On request
Design	Incl. integrated shut-off valve, bulkhead fitting and protection cap	On request

Ordering / Accessories

ORDERING | WEH® TN10 H₂ Service Receptacle

approx. dimensions (mm)



Part No.	Description	DN	Pressure (PN)	Port B1	Port B2 (external thread)
C1-79764	TN10 H ₂	2	16 bar / 230 psi	Ø 13	UN 11/16"-16 for sealing with O-Lok® Face Seal* for tube Ø 10 (3/8")

* Face Seal acc. to SAE J1453

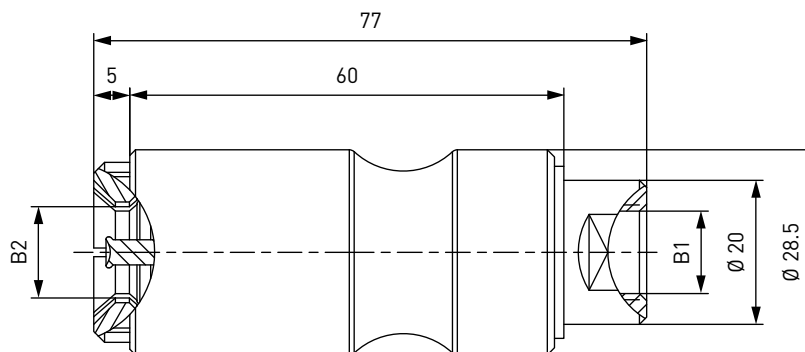
ACCESSORIES

The following accessories are available for the WEH® TN10 H₂ Service Receptacle:

WEH® TW110 Service Connector

Service nozzle with integrated shut-off valve for discharging the pressure vessels and fuel tanks of vehicles running on hydrogen.

approx. dimensions (mm)



Part No.	Description	Pressure (PN)	Discharge B1 (internal thread)	Port B2
C1-84461	TW110	16 bar / 230 psi	G1/4"	Ø 13

Protection cap

Protection cap to protect the TN10 H₂ service receptacle from dirt ingress.

Part No.	Description
E49-83726	Protection cap



Other products

OTHER PRODUCTS

You will find more products in our current catalogue no. 50



Further information on our homepage
www.weh.com

» Contacting

For queries and further information, please do not hesitate to contact us.

Manufacturer:

WEH GmbH Gas Technology

Josef-Henle-Str. 1
89257 Illertissen / Germany

Phone: +49 7303 95190-0

Fax: +49 7303 95190-9999

eMail: h2sales@weh.com

www.weh.com