

Type **TN5 CNG**

Receptacle

for refueling of buses and trucks with CNG



General

DESCRIPTION



Features

- Compatible with fueling nozzles acc. to ISO 14469-2
- Low-noise refueling
- Integrated high-flow check valve
- Sealing-friendly design
- Option: integrated particle filter (50 micron)
- Coding for pressure range / gas type

The WEH® TN5 CNG receptacle is designed specifically for bus and truck refueling. Due to the internal aerodynamic design the TN5 CNG receptacle gives low noise (no high frequency whistle) combined with maximum flow rate and fast filling. The receptacle is a very durable unit, minimizing maintenance and down-time. The type TN5 CNG also has an integrated check valve system which is designed to minimize the effect that dirt particles have on the sealing components within the receptacle. The TN5 CNG receptacle is equipped with a coding for pressure range and gas type.

The WEH® TN5 CNG receptacle works best with WEH® Fueling nozzles. We recommend the fueling nozzles type TK26 CNG, TK22 CNG and TK24 CNG.

Application

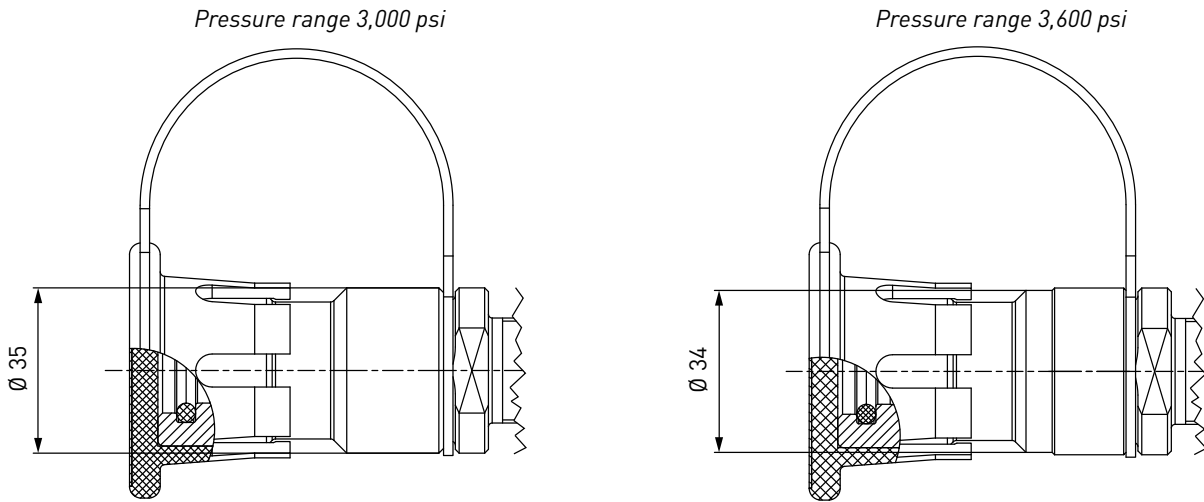
Receptacle for refueling of buses and trucks with CNG to be used with WEH® Fueling nozzles acc. to ISO 14469-2. Only use receptacles with ECE approval for fitment in vehicles!

TECHNICAL DATA

Characteristic	Basic version	Options
Nominal bore DN	Depending on design	On request
Pressure range	PN = 200 bar (3,000 psi) PS = 260 bar PT = 390 bar (ECE) PN = 250 bar (3,600 psi) PS = 260 bar PT = 390 bar (ECE) PN = 250 bar (3,600 psi) PS = 315 bar PT = 475 bar	
Temperature range	-40 °F up to +248 °F	On request
Material	Corrosion resistant	On request
Sealing material	Natural gas compatible	On request
Design	With protection cap (except for receptacles with ACME thread) and fittings (only for receptacles with tube fitting)	Without protection cap Integrated particle filter (40 micron)
Registration	E1 110R-000007 (ECE)	

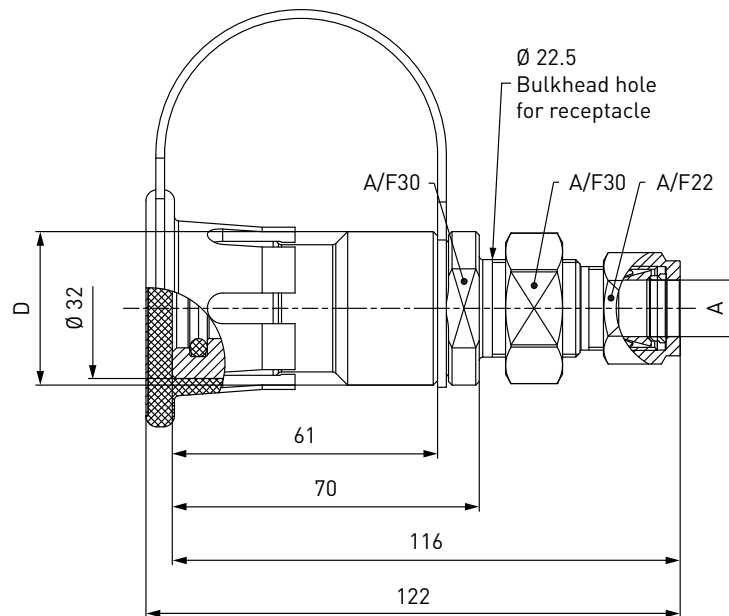
Ordering

PRESSURE RANGES 3,000 PSI | 3,600 PSI



ORDERING | Receptacle TN5 CNG with tube fitting and filter (50 micron)

approx. dimensions (mm)



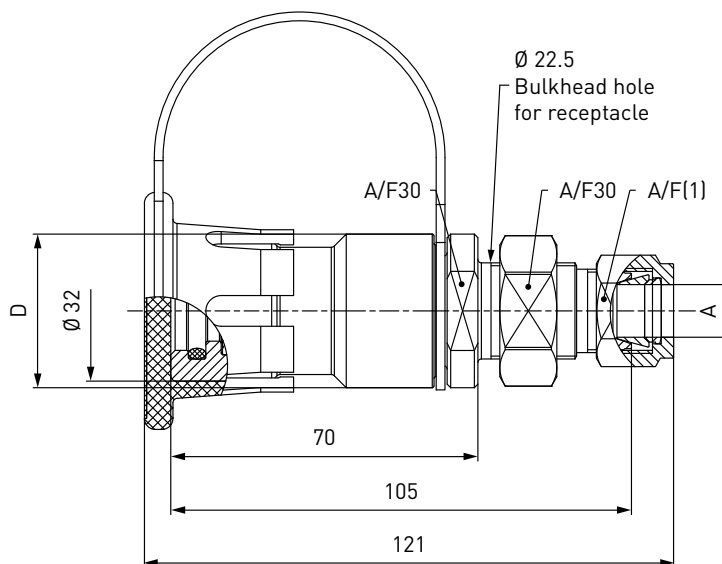
Part No.	Description	DN	Pressure (PN)	Connection A	D
C1-101906	TN5 CNG (ECE)	8	3,000 psi	Tube Ø 10*	Ø 35
C1-106903	TN5 CNG (ECE)	10	3,000 psi	Tube Ø 12*	Ø 35
C1-106906	TN5 CNG (ECE)	10	3,600 psi	Tube Ø 12*	Ø 34
C1-81605	TN5 CNG (ECE)	10	3,000 psi	Tube Ø 1/2"*	Ø 35
C1-81615	TN5 CNG (ECE)	10	3,600 psi	Tube Ø 1/2"*	Ø 34
C1-108583	TN5 CNG (ECE)	12	3,000 psi	Tube Ø 16*	Ø 35
C1-108584	TN5 CNG (ECE)	12	3,600 psi	Tube Ø 16*	Ø 34

* double ferrule fitting

Ordering

ORDERING | Receptacle TN5 CNG with tube fitting (without filter)

approx. dimensions (mm)

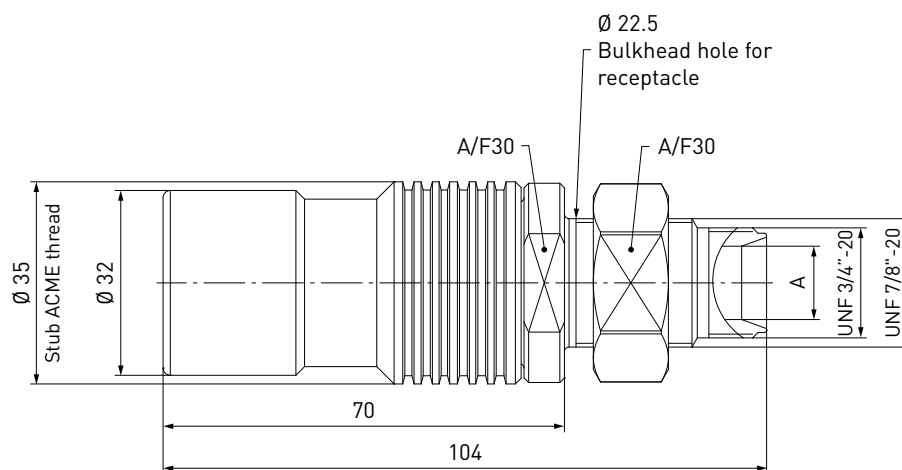


Part No.	Description	DN	Pressure (PN)	Connection A	D	A/F(1)
C1-49817	TN5 CNG (ECE)	10	3,000 psi	Tube Ø 12*	Ø 35	22
C1-105717-X01	TN5 CNG	10	3,600 psi	Tube Ø 12*	Ø 34	22
C1-108330	TN5 CNG (ECE)	10	3,000 psi	Tube Ø 1/2"*	Ø 35	22
C1-81623	TN5 CNG (ECE)	10	3,600 psi	Tube Ø 1/2"*	Ø 34	22
C1-35401	TN5 CNG (ECE)	12	3,000 psi	Tube Ø 16*	Ø 35	25
C1-33744	TN5 CNG (ECE)	12	3,600 psi	Tube Ø 16*	Ø 34	25

* double ferrule fitting

ORDERING | Receptacle TN5 CNG with tube fitting and ACME thread and filter (50 micron)

approx. dimensions (mm)



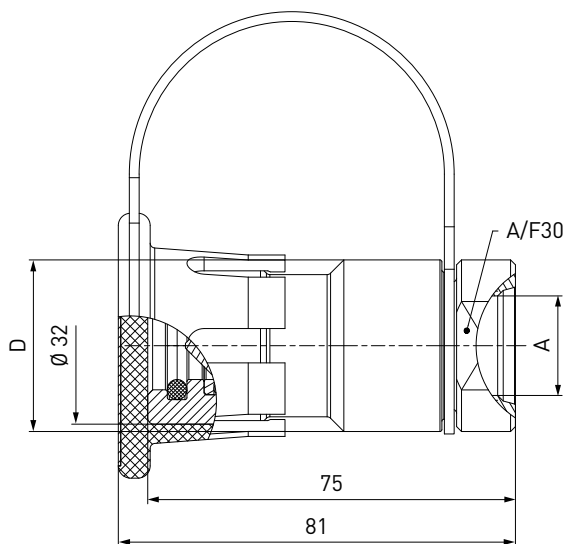
Part No.	Description	DN	Pressure (PN)	Connection A
C1-106904	TN5 CNG (ECE)	10	3,000 psi	Tube Ø 1/2"*

* double ferrule fitting

Ordering

ORDERING | Receptacle TN5 CNG with female thread (without filter)

approx. dimensions (mm)



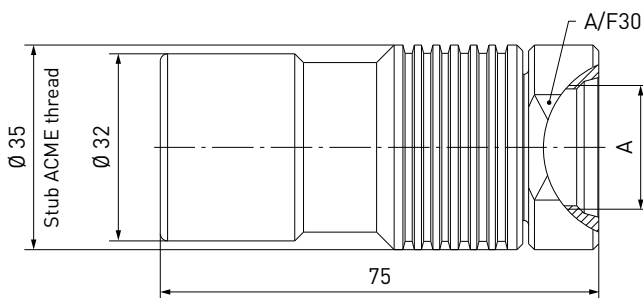
Part No.	Description	DN*	Pressure (PN)	Connection A (female thread)	D
C1-35432	TN5 CNG (ECE)	12	3,000 psi	UNF 7/8"-14**	ø 35
C1-42194	TN5 CNG (ECE)	12	3,600 psi	UNF 7/8"-14**	ø 34

* depending on inner diameter of tube

** acc. to SAE J1926

ORDERING | Receptacle TN5 CNG with female thread and ACME thread (without filter)

approx. dimensions (mm)



Part No.	Description	DN*	Pressure (PN)	Connection A (female thread)
C1-84168	TN5 CNG (ECE)	14	3,000 psi	UNF 7/8"-14**

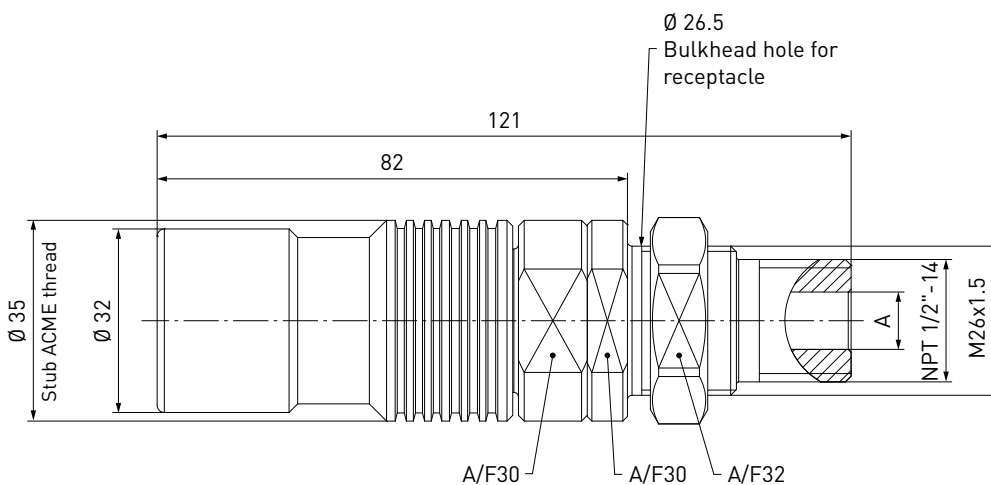
* depending on inner diameter of tube

** acc. to SAE J1926

Ordering

ORDERING | Receptacle TN5 CNG with male NPT thread and ACME thread (without filter)

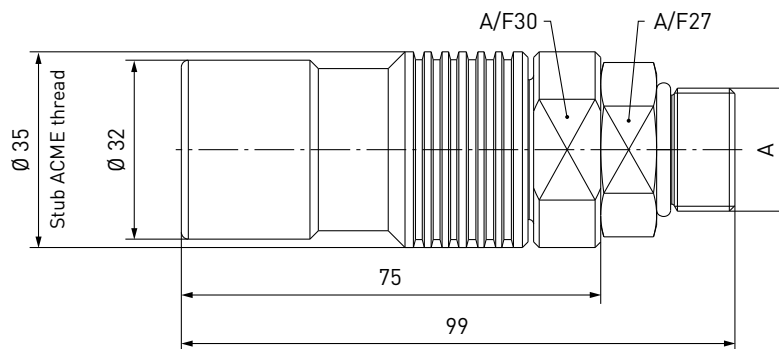
approx. dimensions (mm)



Part No.	Description	DN	Pressure (PN)	Connection A (male thread)
C1-101485	TN5 CNG (ECE)	10	3,000 psi	NPT 1/2"

ORDERING | Receptacle TN5 CNG with male UNF thread and ACME thread (without filter)

approx. dimensions (mm)



Part No.	Description	DN	Pressure (PN)	Connection A (male thread)
C1-84870	TN5 CNG (ECE)	10	3,000 psi	UNF 7/8"-14*

* acc. to SAE J1926

Other connection sizes on request.

Spare parts

SPARE PARTS

Various parts are available as spares for type TN5 CNG:

Protection cap

Protection cap with a strap to protect the type TN5 CNG receptacle from dirt ingress.



Part No.	Description
E80-42725	Protection cap

Other products

OTHER PRODUCTS

You will find more products in our current catalog no. 15



Further information on our homepage
www.weh.com

Abbreviations/Definition

Explanation of abbreviations see technical appendix in the catalogue or www.weh.com

Safe product selection

Our WEH® Products are designed to be operated by qualified professional users (insofar as WEH® Products are also designed to be operated by other users in individual cases, this is explicitly stated in the corresponding operating instructions). You alone are responsible for the selection of WEH® Products and their configuration according to the requirements of your system. In doing so, please particularly consider your intended use, your performance data, your material compatibility, your system concept and your system limits as well as your technical and legal requirements for operation, handling and maintenance. The quality and safety of WEH® Products is our highest priority. For this reason, WEH® Products may not be used outside the specifications in the relevant data sheets and product descriptions. We also strongly recommend that you refrain from using third-party spare parts or a combination of WEH® Products with unsuitable third-party products. You alone are responsible for reviewing the suitability of third-party products. WEH® Products and WEH® Spare parts comply with our quality and safety standards.

Explanation on the Pressure Equipment Directive

These WEH® Products are generally and exclusively classified as pressure accessories for piping in accordance with Article 2 (5) of the Pressure Equipment Directive 2014/68/EU. These WEH® Products may not be used (i) as safety accessories or (ii) for vessels as defined by the Pressure Equipment Directive 2014/68/EU. Therefore, the application of these WEH® Products must comply with their classification as pressure accessories for piping. The assessment with regard to a different classification can, however, be made on request.

External change management

WEH reserves the right to update, optimise and adjust its products continuously. This may result in corresponding changes of the product. Customers will be informed proactively or unsolicited by WEH only in individual cases about product updates, product optimisations and/or product adaptations that have been carried out. You are free to contact WEH at any time to request information about any product updates, product optimisations and/or product adjustments.

© All rights reserved, WEH GmbH. Any unauthorized use is strictly forbidden. Subject to alteration.
 No liability will be assumed for any content. Herewith previous versions are no longer valid.

» Contact

For queries and further information, please do not hesitate to contact us.

Manufacturer:

WEH GmbH Gas Technology

Josef-Henle-Str. 1
 89257 Illertissen / Germany

Phone: +49 7303 95190-0
 Fax: +49 7303 95190-9999

Email: ngvsales@weh.com
www.weh.com



Distributor US:

WEH Technologies Inc.

24903 Laguna Edge Drive
 Katy, TX 77494 / USA

Phone: +1 832 331 0021
 Fax: +1 281 712 2664

Email: sales@weh.us
www.weh.us