

Type **TN1 CNG**

Receptacle

for refueling of cars with CNG



General

DESCRIPTION



Features

- Compatible with fueling nozzles acc. to NGV1 standard and ISO 14469-1 and 3
- Low-noise refueling
- Integrated self-cleaning particle filter (40 micron)
- Integrated high-flow check valve
- Sealing-friendly design
- Coding for pressure range / gas type

The WEH® TN1 CNG receptacle is designed specifically for car refueling. Due to the internal aerodynamic design the TN1 CNG receptacle gives low noise (no high frequency whistle) combined with maximum flow rate and fast filling. The receptacle is a very durable unit, minimizing maintenance and down-time. The type TN1 CNG also has an integrated check valve system which is designed to minimize the effect that dirt particles have on the sealing components within the receptacle. The TN1 CNG receptacle is equipped with a coding for pressure range and gas type.

The WEH® TN1 CNG receptacle works best with WEH® Fueling nozzles. We recommend the fueling nozzles type TK17 CNG, TK16 CNG, TK10 CNG, TK1 CNG and TK4 CNG.

Enhanced safety by integrating a dirt particle filter

Using an integrated particle filter avoids dirt ingress and therefore leakage from the receptacle which gives enhanced safety and reliability - essential features for the volatile nature of CNG products.



Application

Receptacle for refueling of cars with CNG to be used with WEH® Fueling nozzles acc. to NGV1 Standard and ISO 14469-1 and 3. Only use receptacles with ECE approval for fitment in vehicles!

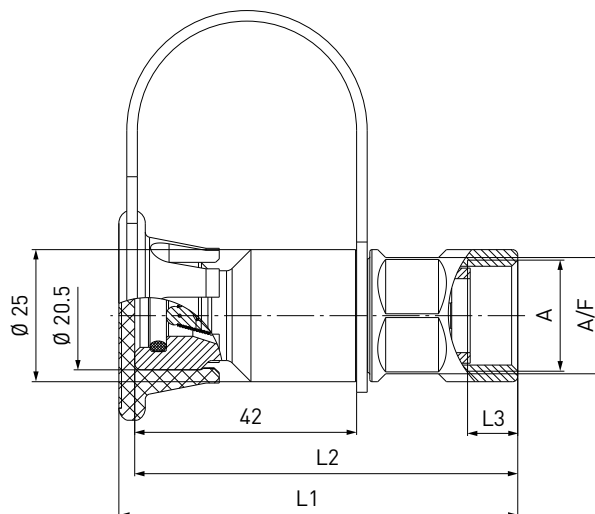
TECHNICAL DATA

Characteristic	Basic version	Options
Nominal bore DN	Depending on design	On request
Pressure range	PN = 200 bar (3,000 psi) PS = 260 bar PT = 390 bar (ECE) PN = 250 bar (3,600 psi) PS = 315 bar PT = 475 bar	
Temperature range	-40 °F up to +248 °F	On request
Material	Corrosion resistant	On request
Sealing material	Natural gas compatible	On request
Design	With protection cap, integrated particle filter (40 micron) and fittings (only for receptacles with tube fitting)	Without integrated particle filter
Registration	E1 110R-000001-01 (ECE)	

Ordering

ORDERING | Receptacle TN1 CNG with internal thread and filter (40 micron)

approx. dimensions (mm)



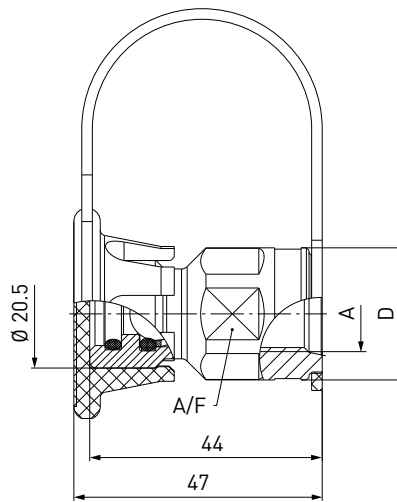
Part No.	Description	DN	Pressure (PN)	Connection A (internal thread)	L1	L2	L3	A/F
C1-92149	TN1 CNG (ECE)	5	3,000 psi	G1/2"	75.5	72.5	9.5	22
C1-101953	TN1 CNG (ECE)	5	3,000 psi	UNF 9/16"-18*	80	77	12.7	23

* acc. to SAE J1926

Ordering

ORDERING | Receptacle TN1 CNG with internal thread (without filter)

approx. dimensions (mm)



Part No.	Description	DN	Pressure (PN)	Connection A (internal thread)	D	A/F
C1-101122	TN1 CNG (ECE)	6	3,000 psi	UNF 9/16"-18*	25	23
C1-33505-X01	TN1 CNG	6	3,600 psi	UNF 9/16"-18*	24	22

* acc. to SAE J1926

Other connection sizes on request.

SPARE PARTS

Various parts are available as spares for type TN1 CNG:

Protection Cap

Protection cap with a strap to protect the type TN1 CNG receptacle from dirt ingress.



Part No.	Description
C1-68966	Protection cap

Other products

OTHER PRODUCTS

You will find more products in our current catalog no. 15



Further information on our homepage
www.weh.com

Abbreviations/Definition

Explanation of abbreviations see technical appendix in the catalogue or www.weh.com

Safe product selection

Our WEH® Products are designed to be operated by qualified professional users (insofar as WEH® Products are also designed to be operated by other users in individual cases, this is explicitly stated in the corresponding operating instructions). You alone are responsible for the selection of WEH® Products and their configuration according to the requirements of your system. In doing so, please particularly consider your intended use, your performance data, your material compatibility, your system concept and your system limits as well as your technical and legal requirements for operation, handling and maintenance. The quality and safety of WEH® Products is our highest priority. For this reason, WEH® Products may not be used outside the specifications in the relevant data sheets and product descriptions. We also strongly recommend that you refrain from using third-party spare parts or a combination of WEH® Products with unsuitable third-party products. You alone are responsible for reviewing the suitability of third-party products. WEH® Products and WEH® Spare parts comply with our quality and safety standards.

Explanation on the Pressure Equipment Directive

These WEH® Products are generally and exclusively classified as pressure accessories for piping in accordance with Article 2 (5) of the Pressure Equipment Directive 2014/68/EU. These WEH® Products may not be used (i) as safety accessories or (ii) for vessels as defined by the Pressure Equipment Directive 2014/68/EU. Therefore, the application of these WEH® Products must comply with their classification as pressure accessories for piping. The assessment with regard to a different classification can, however, be made on request.

External change management

WEH reserves the right to update, optimise and adjust its products continuously. This may result in corresponding changes of the product. Customers will be informed proactively or unsolicited by WEH only in individual cases about product updates, product optimisations and/or product adaptations that have been carried out. You are free to contact WEH at any time to request information about any product updates, product optimisations and/or product adjustments.

© All rights reserved, WEH GmbH. Any unauthorized use is strictly forbidden. Subject to alteration.
No liability will be assumed for any content. Herewith previous versions are no longer valid.

» Contact

For queries and further information, please do not hesitate to contact us.

Manufacturer:

WEH GmbH Gas Technology

Josef-Henle-Str. 1
89257 Illertissen / Germany

Phone: +49 7303 95190-0
Fax: +49 7303 95190-9999

Email: ngvsales@weh.com
www.weh.com



Distributor US:

WEH Technologies Inc.

24903 Laguna Edge Drive
Katy, TX 77494 / USA

Phone: +1 832 331 0021
Fax: +1 281 712 2664

Email: sales@weh.us
www.weh.us