

Type **TN5 H₂**

WEH[®] Receptacle

for refueling of heavy-duty vehicles (buses and trucks) with hydrogen



General

DESCRIPTION



Features

- Low-noise refueling
- Integrated self-cleaning particle filter (50 micron)
- Integrated high-flow check valve
- Sealing-friendly design
- Coding for pressure range / gas type

The WEH[®] TN5 H₂ Receptacle is designed specifically for hydrogen refueling of buses and trucks. Due to the internal aerodynamic design the receptacle gives low noise (no high frequency whistle) combined with maximum flow rate and fast filling. The receptacle is a very durable unit, minimizing maintenance and down-time. The WEH[®] TN5 H₂ Receptacle has an integrated check valve system which is designed to minimize the effect that dirt particles have on the sealing components within the receptacle. The TN1 H₂ is also equipped with a coding for pressure range and gas type.

Enhanced safety by integrating a particle filter

Using an integrated particle filter avoids dirt ingress and therefore leakage from the receptacle which gives enhanced safety.

Application

Receptacle for refueling of heavy-duty vehicles (buses and trucks) with hydrogen, to be used with WEH[®] TK25 H₂ Fueling Nozzles.

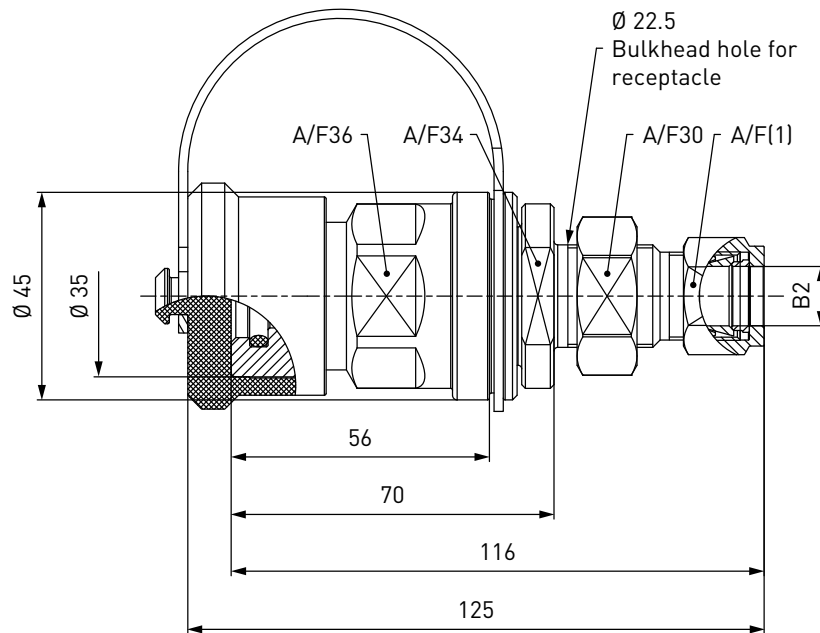
TECHNICAL DATA

Characteristic	Basic version	Options
Nominal bore DN	Max. 12 mm, depending on design	On request
Pressure range	PN = 250 bar (3,600 psi) PS = 350 bar PT = 525 bar PN = 350 bar (5,000 psi) PS = 450 bar PT = 675 bar	
Temperature range	-40 °F up to +185 °F	On request
Material	Corrosion resistant	On request
Sealing material	Hydrogen compatible	On request
Design	With protection cap, integrated particle filter (50 micron), integrated check valve and fittings	On request

Ordering / Spare parts

ORDERING | WEH® TN5 H₂ Receptacle with tube fitting

approx. dimensions (mm)



Part No.	Description	DN	Pressure (PN)	Port B2	A/F(1)
C1-49772-X1-X01	TN5 H ₂	8	350 bar / 5,000 psi	Tube Ø 12*	22
C1-90840-X01	TN5 H ₂	10	250 bar / 3,600 psi	Tube Ø 1/2"*	22
C1-46714-X01	TN5 H ₂	10	350 bar / 5,000 psi	Tube Ø 1/2"*	22
C1-19136-X1-X01	TN5 H ₂	12	350 bar / 5,000 psi	Tube Ø 16*	25

* double ferrule fitting

Other connection sizes and versions on request.

SPARE PARTS

Various parts are available as spares for the WEH® TN5 H₂ Receptacle:

Protection cap

Protection cap with a strap to protect the TN5 H₂ receptacle from dirt ingress.



Part No.	Description
C1-134306	Protection cap



Other products

OTHER PRODUCTS

You will find more products in our current catalog no. 50



Further information on our homepage
www.weh.com

Abbreviations/Definition

Explanation of abbreviations see technical appendix in the catalogue or www.weh.com

Safe product selection

Our WEH® Products are designed to be operated by qualified professional users (insofar as WEH® Products are also designed to be operated by other users in individual cases, this is explicitly stated in the corresponding operating instructions). You alone are responsible for the selection of WEH® Products and their configuration according to the requirements of your system. In doing so, please particularly consider your intended use, your performance data, your material compatibility, your system concept and your system limits as well as your technical and legal requirements for operation, handling and maintenance. The quality and safety of WEH® Products is our highest priority. For this reason, WEH® Products may not be used outside the specifications in the relevant data sheets and product descriptions. We also strongly recommend that you refrain from using third-party spare parts or a combination of WEH® Products with unsuitable third-party products. You alone are responsible for reviewing the suitability of third-party products. WEH® Products and WEH® Spare parts comply with our quality and safety standards.

Explanation on the Pressure Equipment Directive

These WEH® Products are generally and exclusively classified as pressure accessories for piping in accordance with Article 2 (5) of the Pressure Equipment Directive 2014/68/EU. These WEH® Products may not be used (i) as safety accessories or (ii) for vessels as defined by the Pressure Equipment Directive 2014/68/EU. Therefore, the application of these WEH® Products must comply with their classification as pressure accessories for piping. The assessment with regard to a different classification can, however, be made on request.

External change management

WEH reserves the right to update, optimise and adjust its products continuously. This may result in corresponding changes of the product. Customers will be informed proactively or unsolicited by WEH only in individual cases about product updates, product optimisations and/or product adaptations that have been carried out. You are free to contact WEH at any time to request information about any product updates, product optimisations and/or product adjustments.

© All rights reserved, WEH GmbH. Any unauthorized use is strictly forbidden. Subject to alteration.
No liability will be assumed for any content. Herewith previous versions are no longer valid.

» Contacting

For queries and further information, please do not hesitate to contact us.

Manufacturer:

WEH GmbH Gas Technology

Josef-Henle-Str. 1
89257 Illertissen / Germany

Phone: +49 7303 95190-0
Fax: +49 7303 95190-9999

Email: h2sales@weh.com
www.weh.com



Distributor US:

WEH Technologies Inc.

24903 Laguna Edge Drive
Katy, TX 77494 / USA

Phone: +1 832 331 0021
Fax: +1 281 712 2664

Email: sales@weh.us
www.weh.us